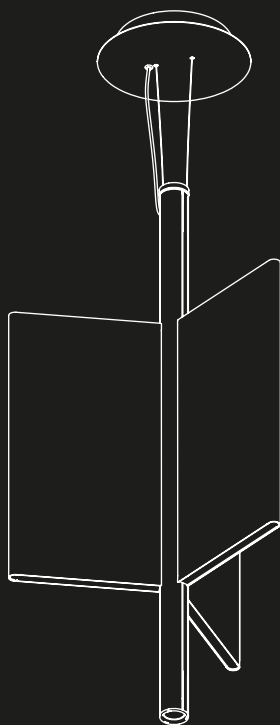


# TRYPTA

design Stephen Burks

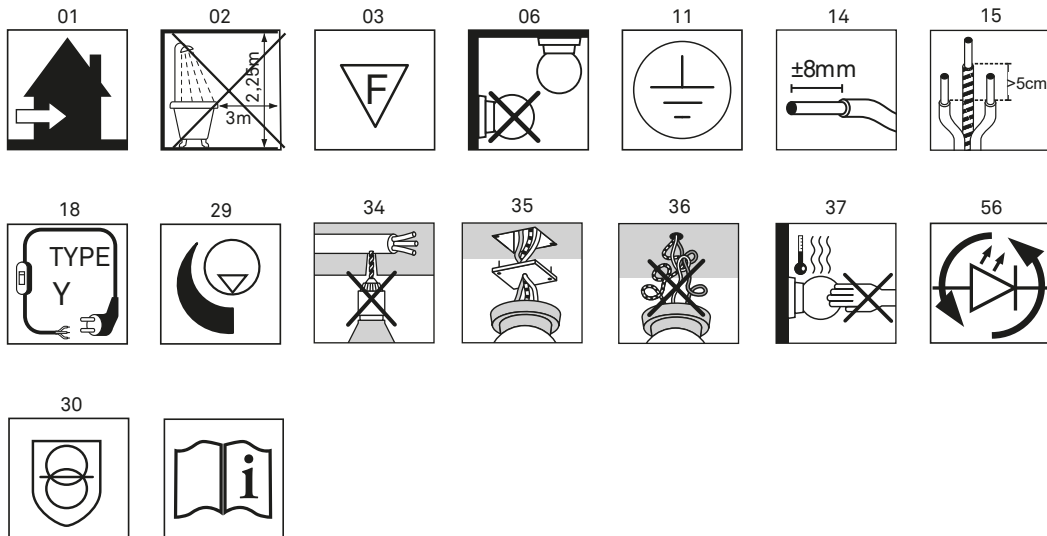


**LUCE  
PLAN**

D97

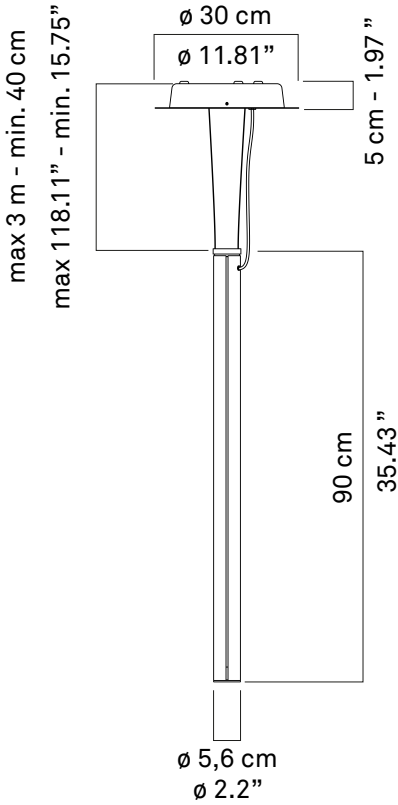


# D97

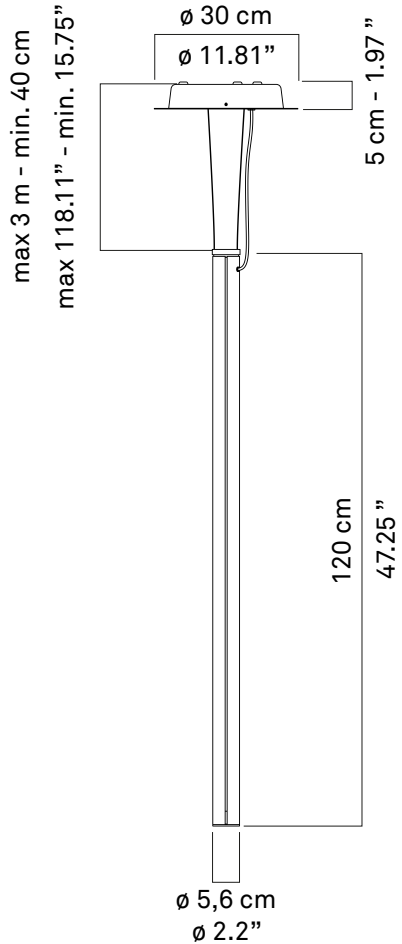




# D97/1D



# D97/2D



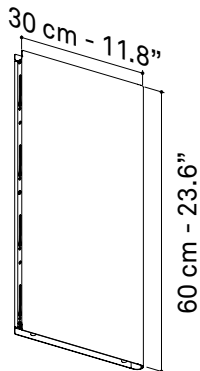
**kg** 4,4 kg

**lb** 9,7 lb

**kg** 5,4 kg

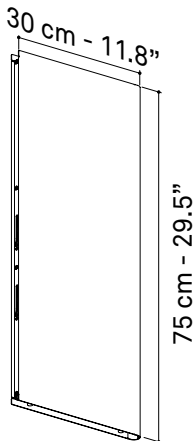
**lb** 11 lb

D97C36



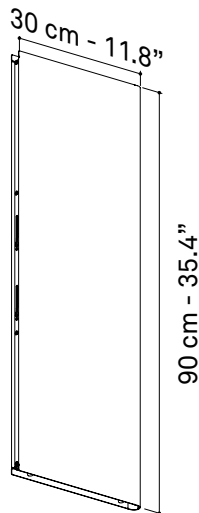
kg 1,1 kg    lb 2,43 lb

D97C37



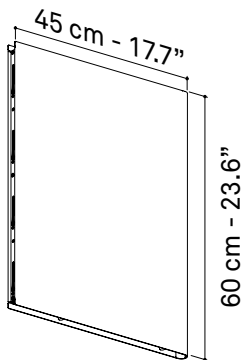
kg 1,4 kg    lb 3,08 lb

D97C39



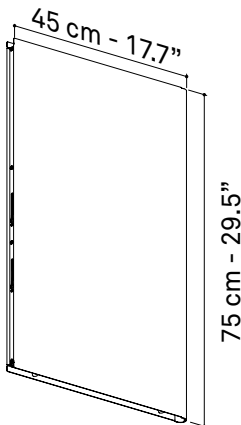
kg 1,9 kg    lb 4,18 lb

D97C46



kg 1,5 kg    lb 3,30 lb

D97C47



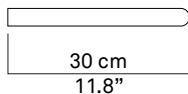
kg 1,9 kg    lb 4,18 lb

D97C49

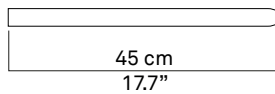


kg 2,25 kg    lb 4,96 lb

D97/31

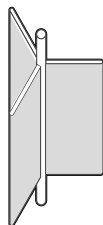


D97/32

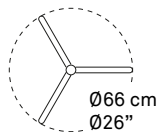


# Suggested configurations

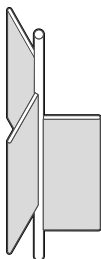
**FLAT VERSION**  
Body L 90 cm  
3 panels 30 x 60 cm



D97/1D +  
3 x D97C36

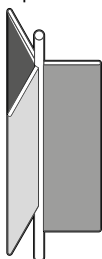


**SHIFT VERSION**  
Body L 120 cm  
3 panels 30 x 60 cm



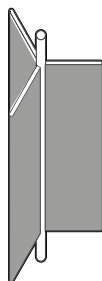
D97/2D +  
3 x D97C36

**MIXED VERSION**  
Body L 120 cm  
1 panel 30 x 60 cm  
1 panel 30 x 75 cm  
1 panel 30 x 90 cm



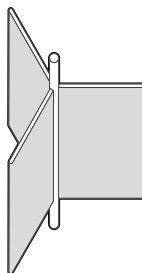
D97/2D +  
3 x D97C36  
1 x D97C37  
1 x D97C39

**FLAT VERSION**  
Body L 120 cm  
3 panels 30 x 90 cm

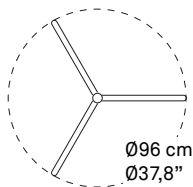


D97/2D +  
3 x D97C39

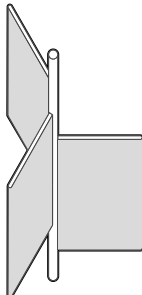
**FLAT VERSION**  
Body L 90 cm  
3 panels 45 x 60 cm



D97/1D +  
3 x D97C46

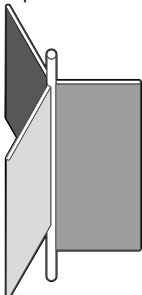


**SHIFT VERSION**  
Body L 120 cm  
3 panels 45 x 60 cm



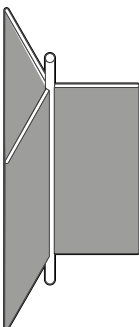
D97/2D +  
3 x D97C46

**MIXED VERSION**  
Body L 120 cm  
1 panel 45 x 60 cm  
1 panel 45 x 75 cm  
1 panel 45 x 90 cm



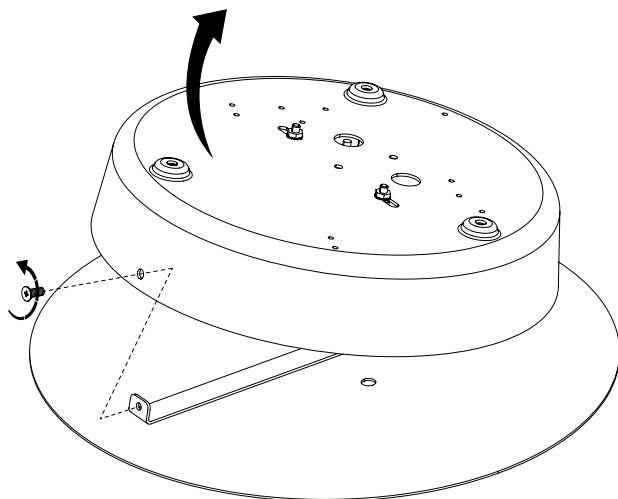
D97/2D +  
3 x D97C46  
1 x D97C47  
1 x D97C49

**FLAT VERSION**  
Body L 120 cm  
3 panels 45 x 90 cm

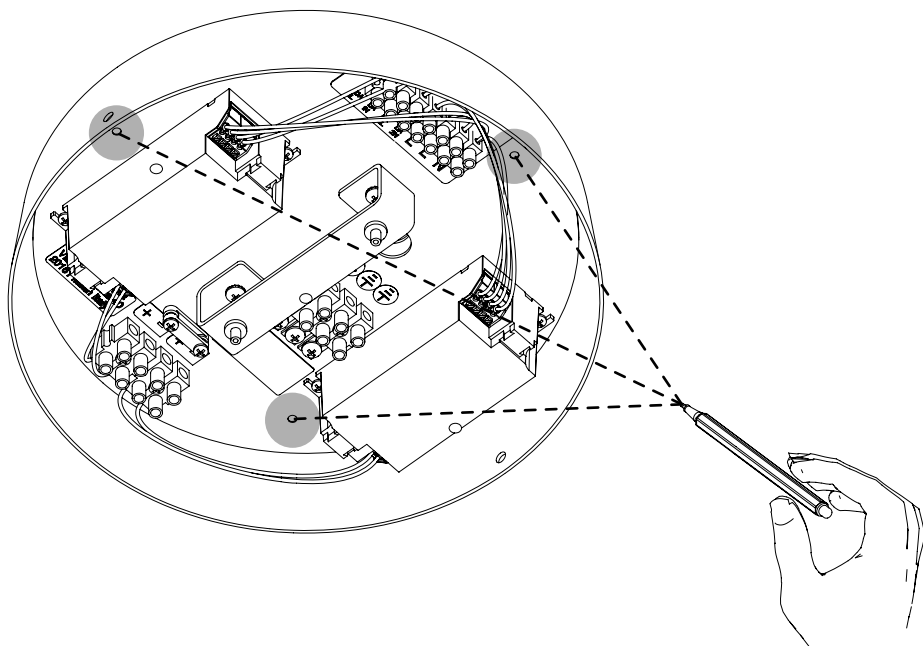


D97/2D +  
3 x D97C49

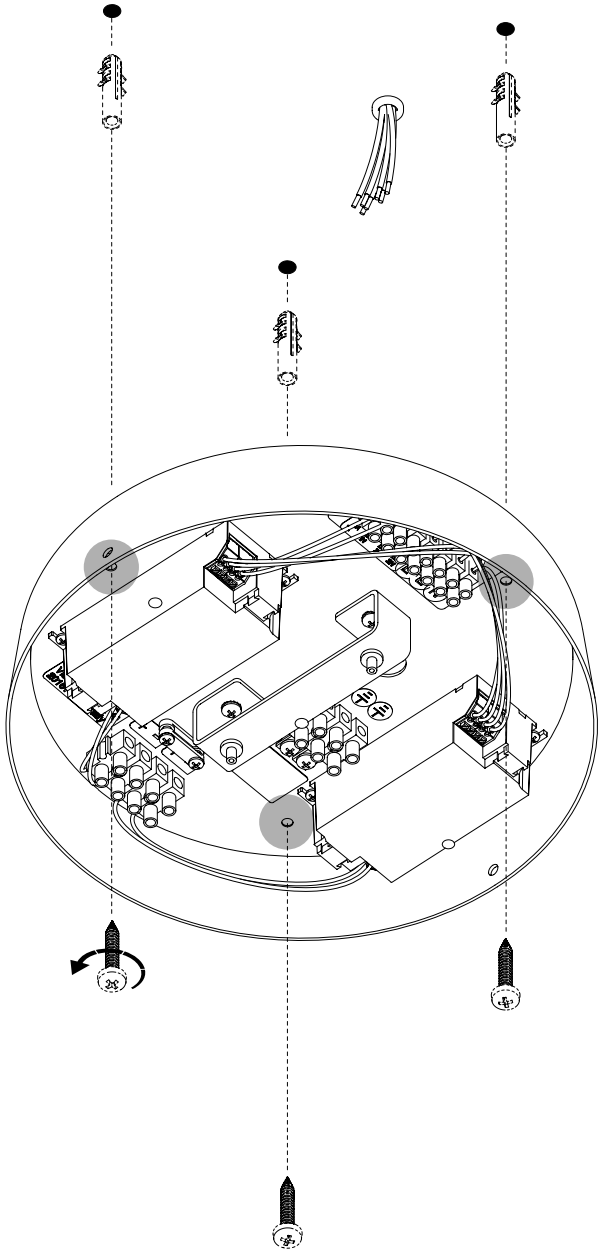
# 1 | 1.1



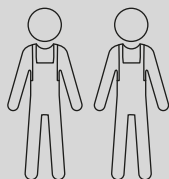
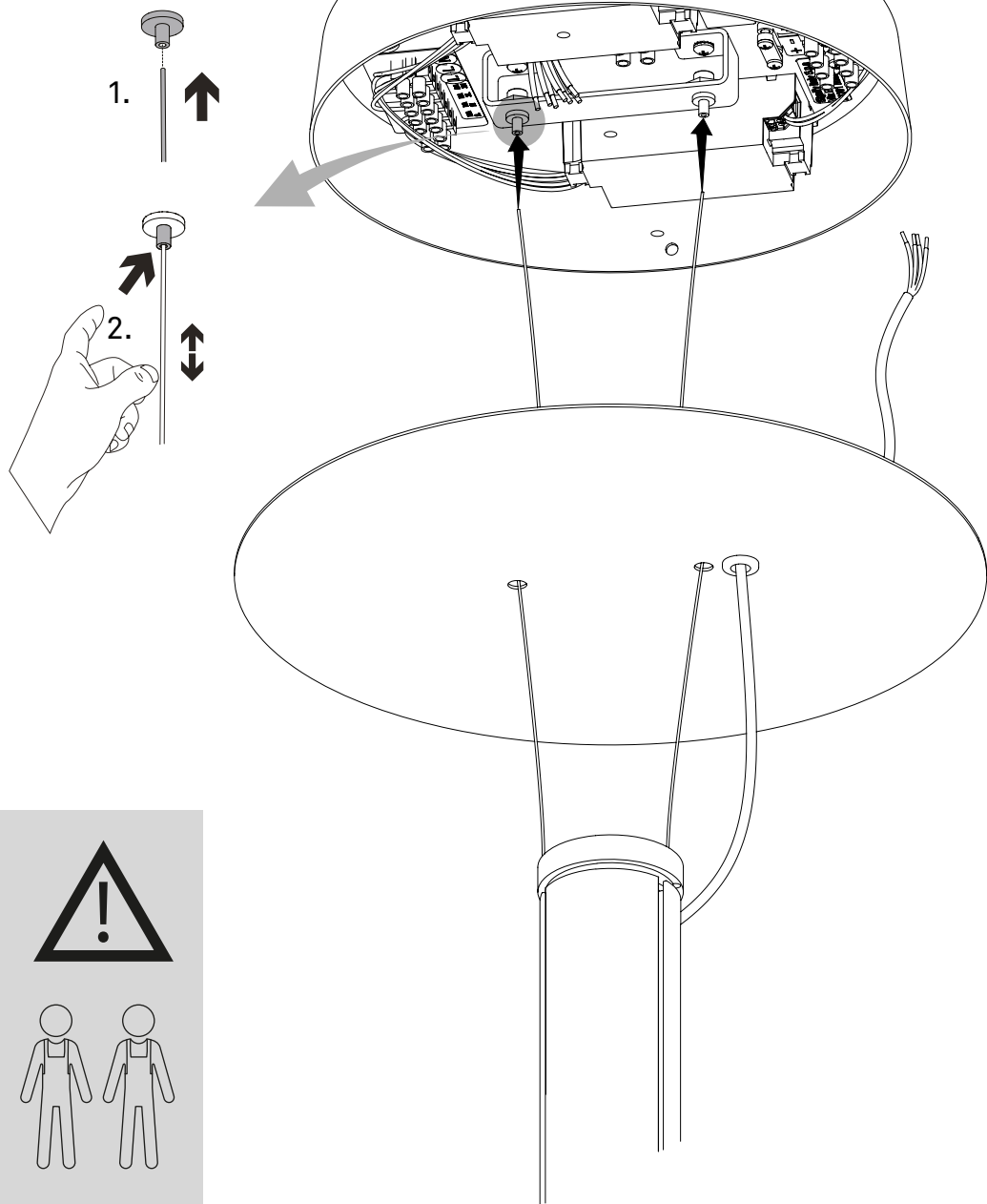
# 1.2



# 1.3

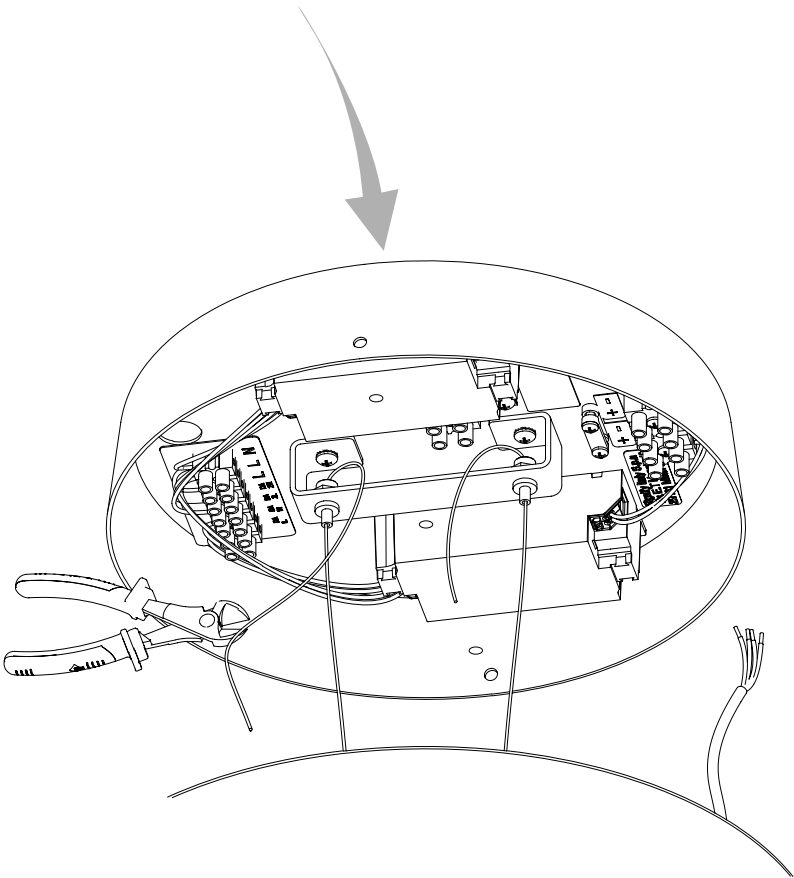
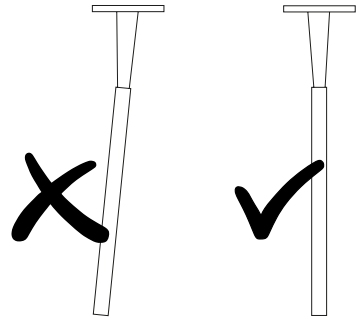
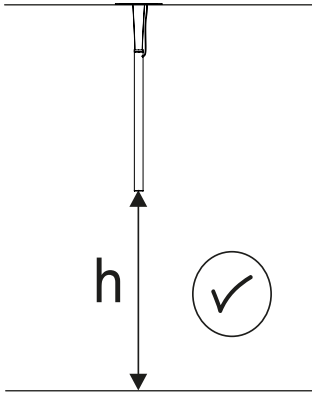


## 1.4



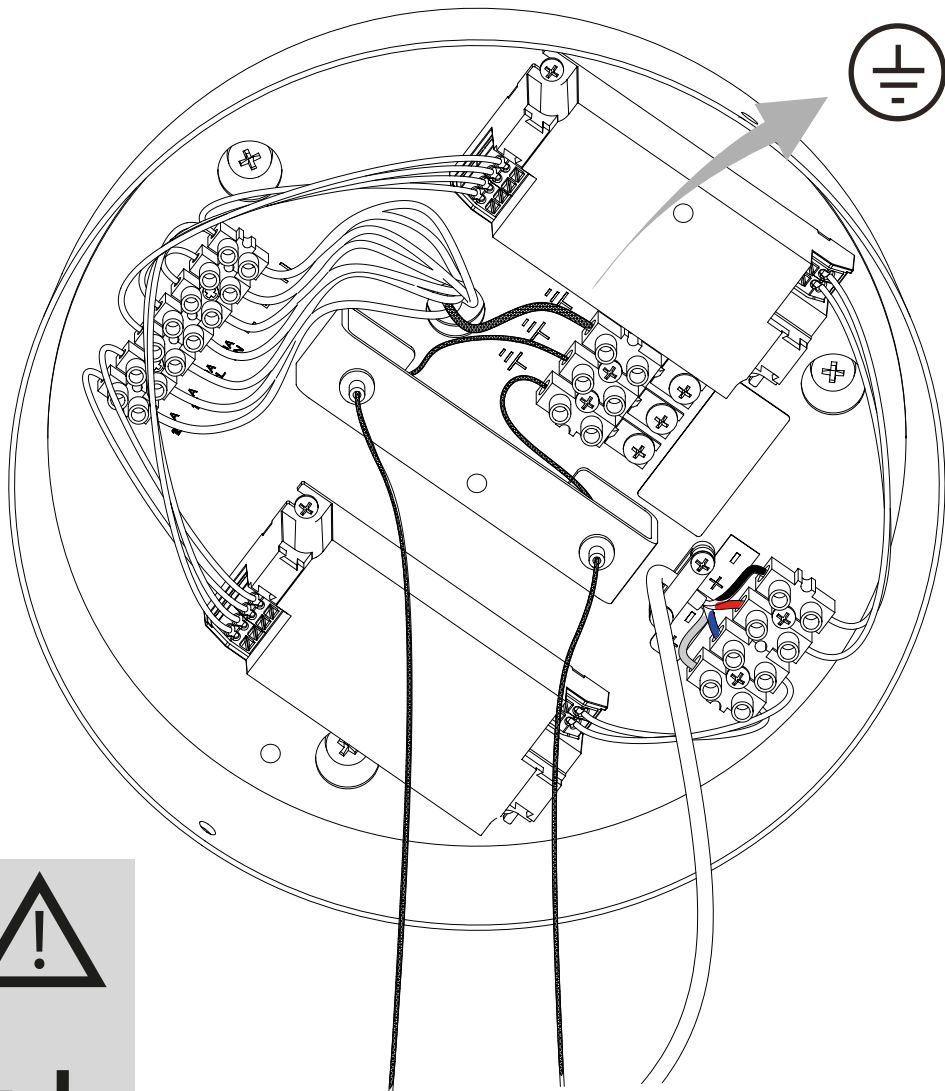


1.5

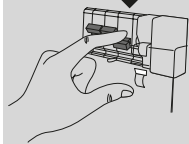


# 2 | 2.1

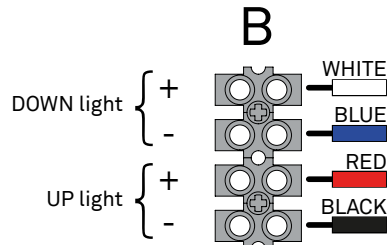
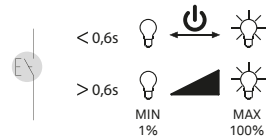
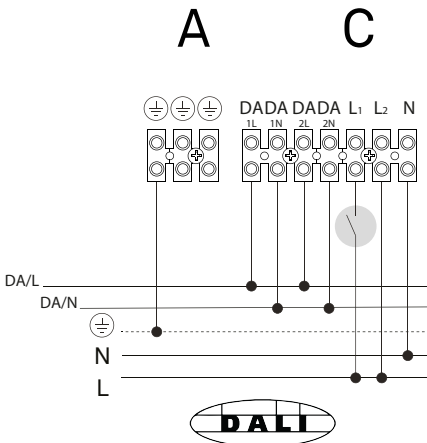
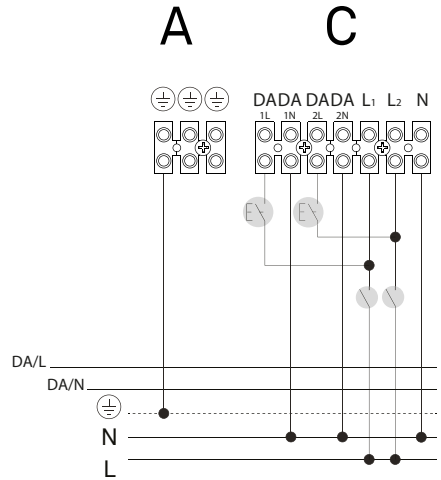
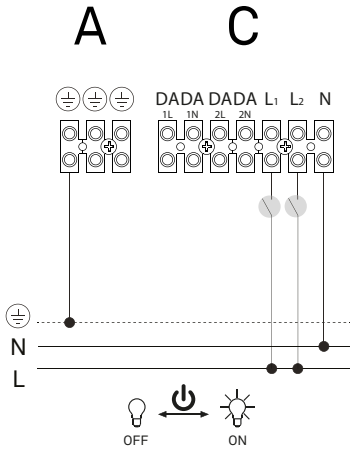
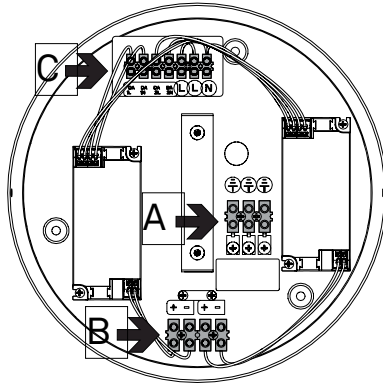
# 2.2



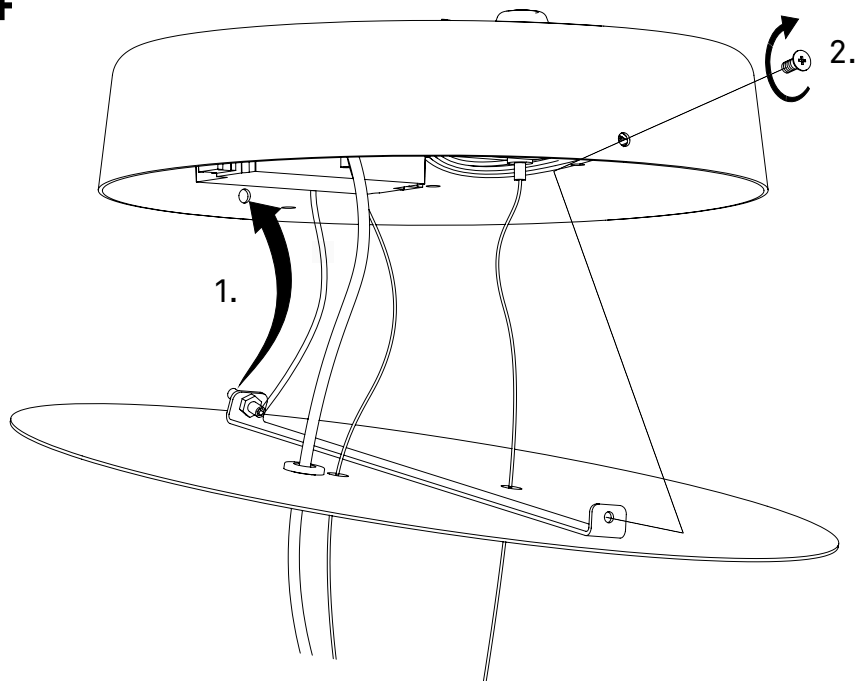
OFF ↓



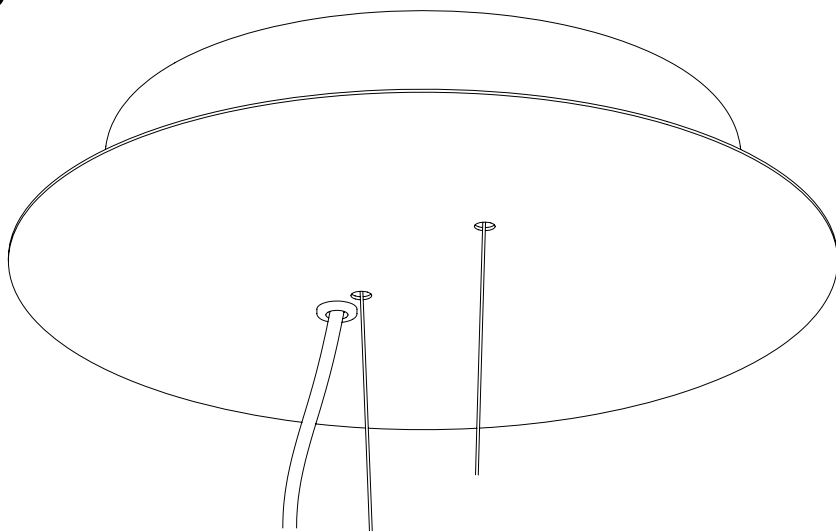
# 2.3



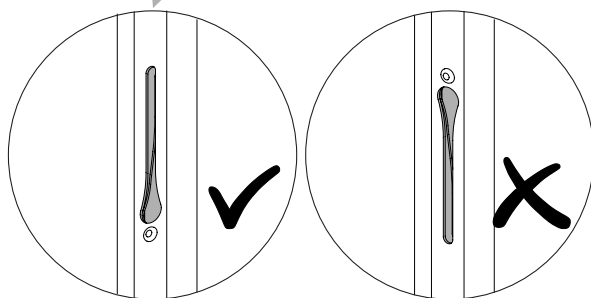
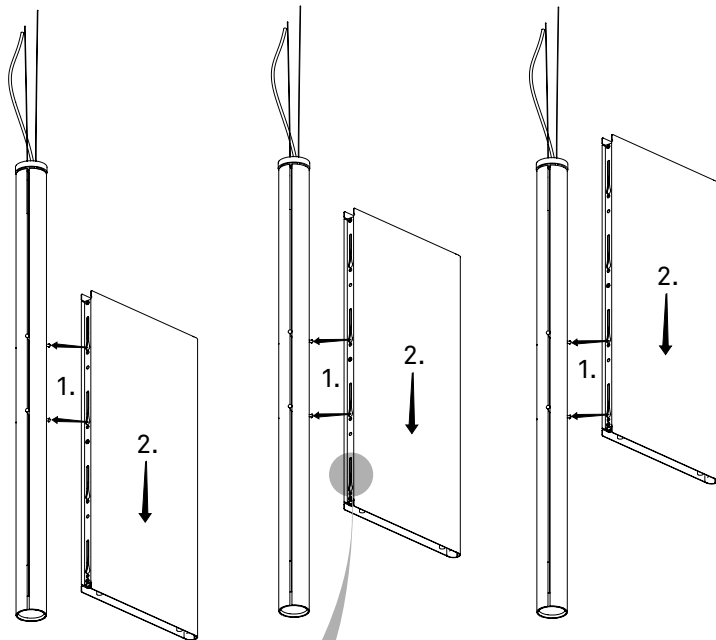
## 2.4



## 2.5

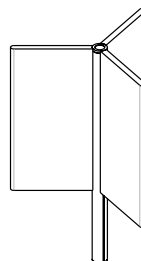
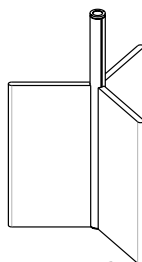
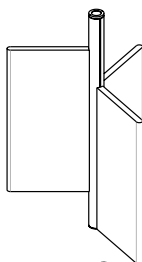
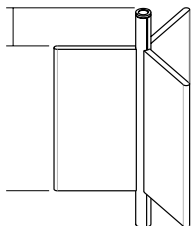


# 3 | 3.1



p. 5

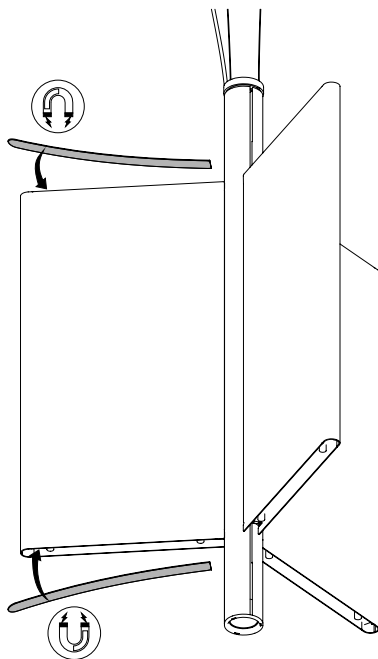
≥15cm



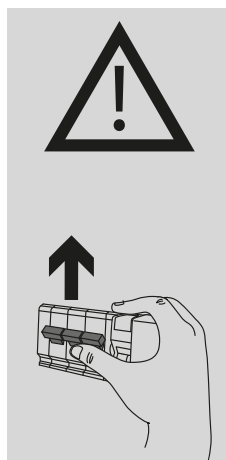
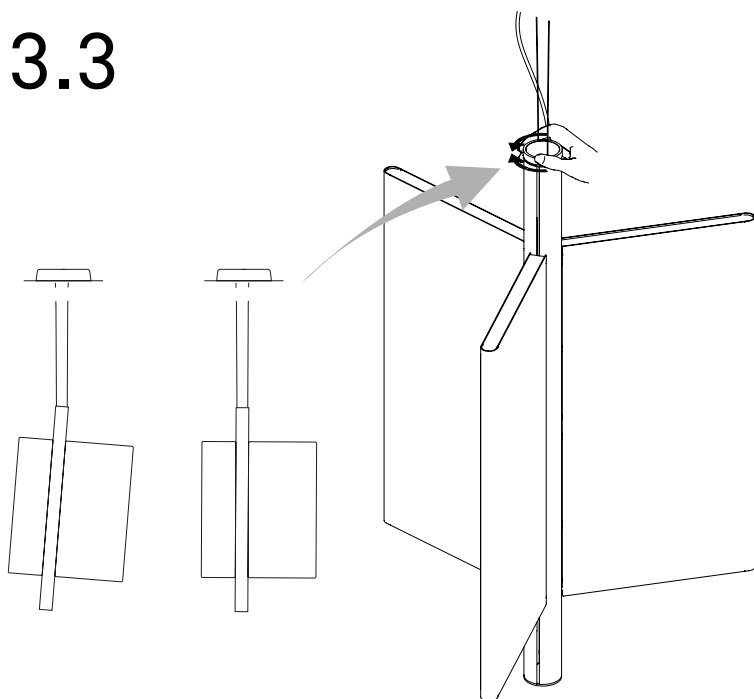
≥15cm

# 3.2

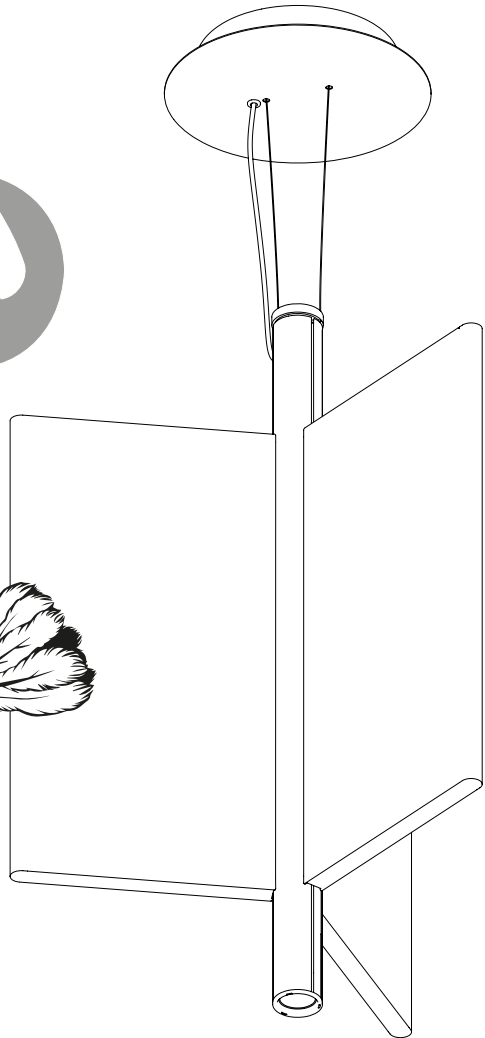
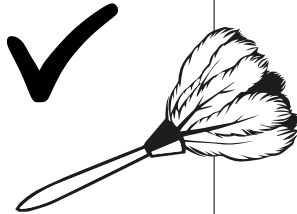
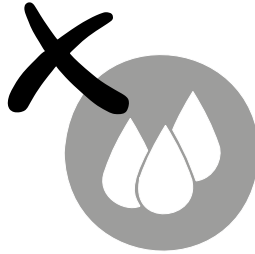
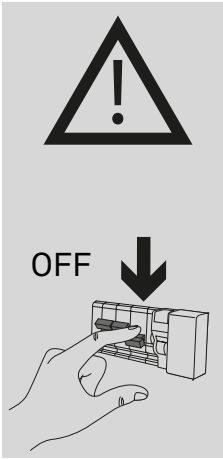
D97/31  
D97/32



# 3.3



4





[www.luceplan.com](http://www.luceplan.com)

D97010001