

# COMPENDIUM CIRCLE

design Daniel Rybakken, 2017



Type: Suspension

Lamps:

- D81C07: LED 54W\* 3000K CRI 90  
black: 1.788 lm  
brass: 2.113 lm  
alu: 2.247 lm
- D81C11: LED 75W\* 3000K CRI 90  
black: 2.504 lm  
brass: 2.958 lm  
alu: 3.146 lm
- D81C20: LED 110W\* 3000K CRI 90  
black: 4.292 lm  
brass: 5.071 lm  
alu: 5.392 lm

Product use: Indoor

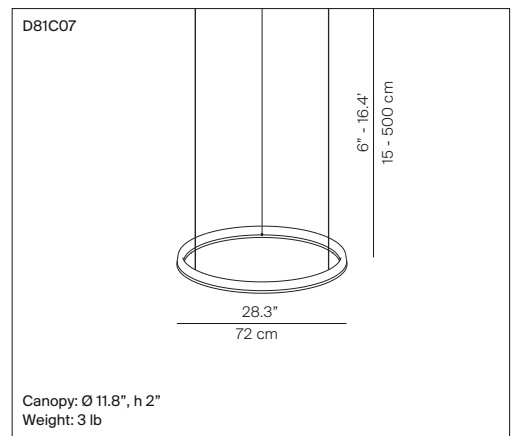
Materials: Profile in painted extruded aluminum

Colors: Black, brass, aluminum

Description: Compendium Circle is a lamp with a poetic nature and an essential design, whose lightness is sustained by LED technology, installed to permit direct emission when pointed downward, or diffused light when aimed upward.



Certification:

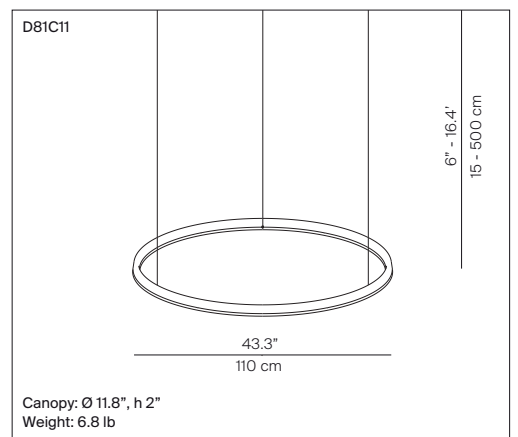


Reference code: Structure

**D81C07** 1D810C070520 alu  
(28.3") 1D810C070501 black  
1D810C070530 brass

**D81C11** 1D810C110520 alu  
(43.3") 1D810C110501 black  
1D810C110530 brass

**D81C20** 1D810C200520 alu  
(78.7") 1D810C200501 black  
1D810C200530 brass



Canopy for single fixture installation

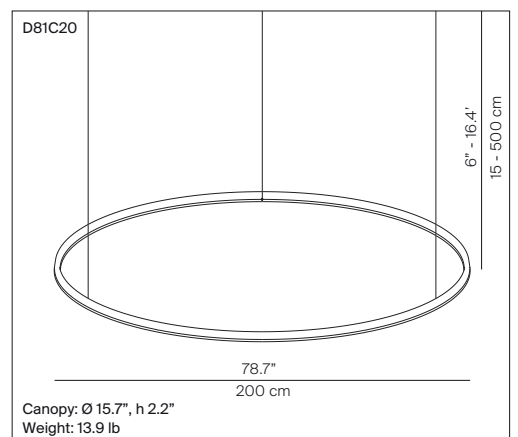
for D81C07 **D81/4** 1D810/400500 60W driver dimmable 0-10V  
for D81C11 **D81/5** 1D810/500500 90W driver dimmable 0-10V  
for D81C20 **D81/6** 1D810/600500 120W driver dimmable 0-10V

Canopy for multiple configurations

**A: D81/15** 1D810/150500 4 x 90W multi driver canopy  
**B: D81/14** 1D810/140500 3 x 90W multi driver canopy  
**C: D81/13** 1D810/130500 2 x 90W multi driver canopy

Multi Driver Canopy Matrix (number of fixtures per canopy)

Fixtures	Canopies											
	A	A	A	A	A	B	B	B	B	C	C	C
D81C07	1	2	1			3	2	1		2	1	
D81C11			1	1	2	1	2	3		1	2	
D81C20	1	1	1	1	1							



Remote driver box

**D81/16** 1D810/160500 only for D81C07 and D81C11

Remote slave

**D81/17** 1D810/160500 only for D81C20

Canopy for remote driver box or remote slave

**D81/A** 1D810/160500 for up to 3 fixtures

\* The LED lamps cannot be changed in the luminaire.

www.luceplan.com

# COMPENDIUM CIRCLE

design Daniel Rybakken, 2017



Suggested distances between devices to avoid excessive tension of the cable.

