


Doi

Design Meneghello Paoelli

**LUCE
PLAN**

Type:	Ceiling
Light source:	LED 7W 2700, CRI 90, 291 lm LED 7W 3000K, CRI 90, 306 lm
Product use:	Indoor
Materials:	Aluminium cylinder. Iron structure.
Colors:	Ceiling rose: black, white Cylinder: black, white, brass

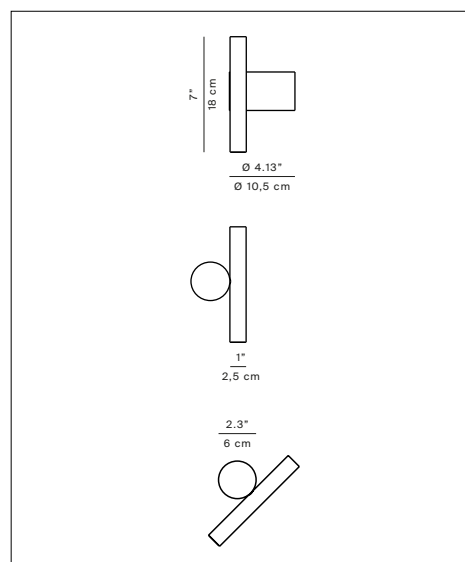
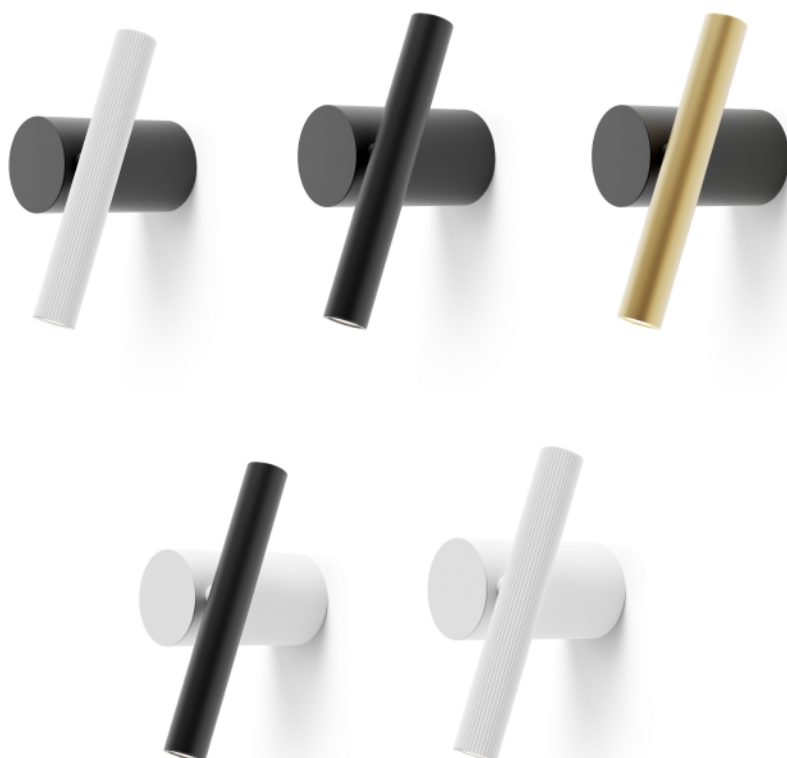
Description: Doi is a family of decorative indoor lamps, including a wall/ceiling version, which takes on different possible configurations in the suspension models, formed by only a disk and a cylinder, or with the added "pendulum" accessory.

Insulation class and marks: 

Rating: 110 - 240V~50/60 Hz, 9W

Reference code: **A05AD** 3000K
1A05AD00001 black/black
1A05AD00002 white/white
1A05AD00030 black/brass
1A05AD00035 white/black
1A05AD00098 black/white

A05ADW 2700K
1A05ADW0001 black/black
1A05ADW0002 white/white
1A05ADW0030 black/brass
1A05ADW0035 white/black
1A05ADW0098 black/white



Trailing Edge Dimmer list approved by KGP

Manufacturer	Model	Q'ty of parallel connection
ABB	6519 U	12
ABB	6526 U	11
JUNG	1224 LED UDE	12
Berker	2861	12
JUNG	254 UDIE 1	13
JUNG	225 TDE	12
EGANT	U321V2	12
Schneider	SBD200LED	13
Schneider	SBD315RC	12
Merten	SBD200LED	13
Berker	2874	12
Eitako	EUD61NPL-230V	10
Eitako	EUD12NPN-UC	10
Eitako	EUD12D-UC	10
Eitako	EUD61NP-230V	10
Eitako	DTD55L-230V-wg	10
GIRA	Universal-LED Dimmer Mini2440 00	10
EHMANN	LED-Dimmer T46.08	9
JUNG	DrehDimmer Unlversal LED1731DD	10
EHMANN	LED-Dimmer T46.03	10

Leading Edge Dimmer list only on request -/ or confirmed by KGP Electronics